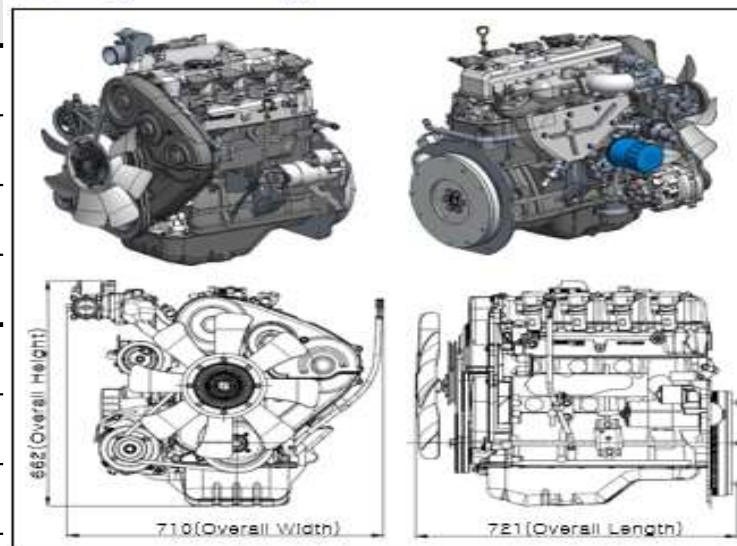


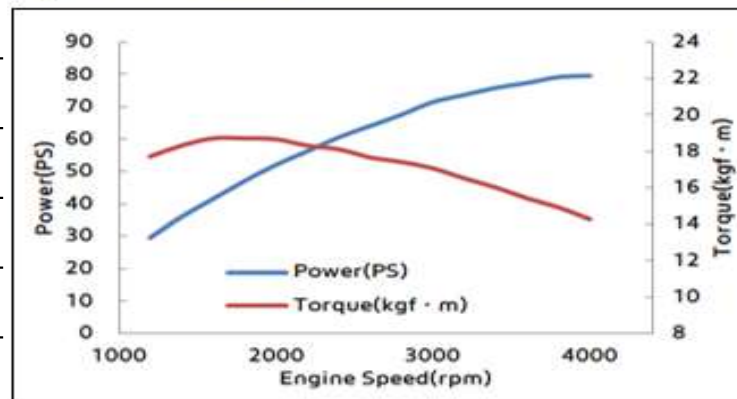
EV-26 N

Model	EV-26N	
Rated output	Kw(ps)	59.6(81)
	rpm	4200
Max. Torque	kgf.m(Nm)	19.4(190)
	rpm	1900
Compression ratio	12:1	
Displacement (l)	2.607	
No. of cylinder	4 - inline	
Aspiration	Natural Aspiration	
Combustion type	Stoichiometric	
Fuel	CNG	
Dimension(mm)	721 x 710 x 662	
Dry Weight(kg)	200	
Flywheel	PCD Φ 276, 6-M8x1.25	
Flywheel Housing	PCD Φ 343.9, 10-M10x1.25	

Engine Configuration & Dimensions



Performance Curve



The engine performance corresponds to ISO 3046 (Without a cooling fan). The product images shown are for illustration only and may not be an exact representation of the final product. All information is subject to change without notice.